

## Positioning Mount 840-0199 For Nonlinear Crystal Housing

This kinematic mount accepts crystal housings of  $\text{Ø}25.4$  mm and thickness up to 10.5 mm. The housing is stopped by a rest-flange inside the central aperture of the platform, and is secured by a threaded retaining ring.

The rotation position (X axis) is indicated on  $360^\circ$  angular scale with a gradation of  $2^\circ$ . The rotation platform has a removable rod that allows continuous  $360^\circ$  rotation without obscuring the aperture. This removable rod can be fitted into any of the four holes on the perimeter of rotation platform.

Angular adjustment range of tilt/tip (Z, Y axes) is  $\pm 2.5^\circ$ .

Two high resolution stainless steel vertical-drive screws with a pitch of 0.25 mm and "wedge and ball" mechanism ensure smooth and precise angular tilt/tip adjustment with 3 arc sec sensitivity. For tilting, the platform it is preloaded against the base with high quality springs.

Large knobs on the adjusting screws relieve the strain on operator fingers during adjustment.

Both screws protrude from the top allowing convenient adjustment outside the laser beam path & providing easy access for adjustments in densely packed optical set-ups.

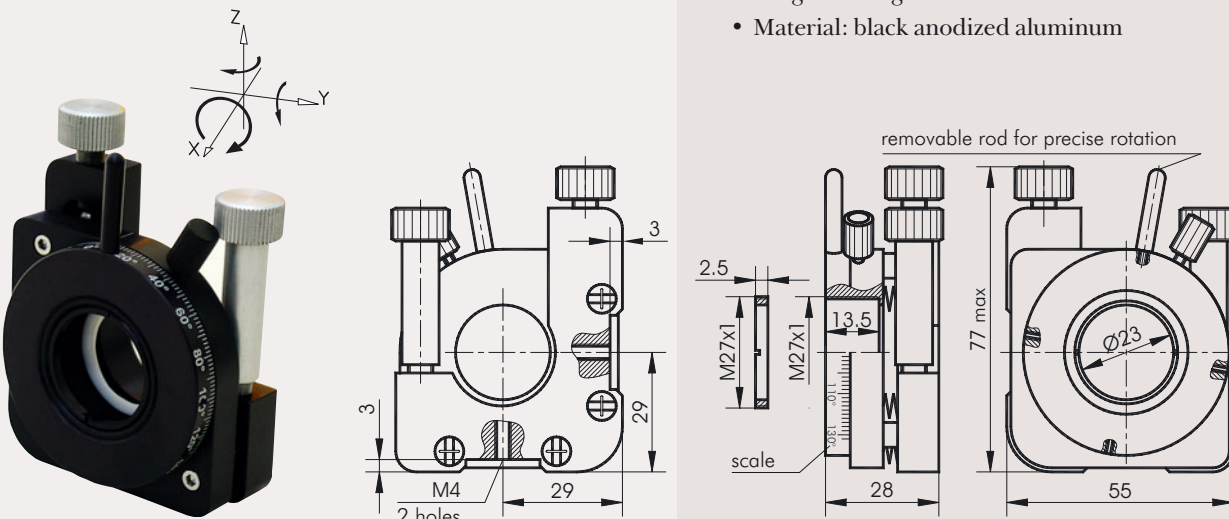
An extra M4 tapped hole on the side of the base allows you to operate the mount as a side-drive adjustment control mount. The mount is made of black anodized aluminium to help minimize reflections.

A retaining ring M27 $\times$ 1, two Teflon rings and a tightening key to fix the crystal ring housing is included.

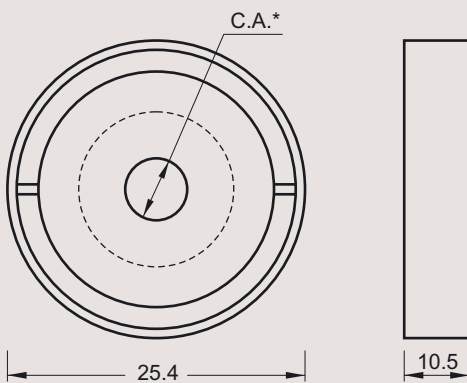


### SPECIFICATIONS AND PROPERTIES

- Accepts  $\text{Ø}25.4$  mm and up to 10.5 mm thickness ring housings
- Kinematic design
- Wedge and ball drive mechanism
- Tilt/tip range:  $\pm 2.5^\circ$
- Sensitivity: 3 arc sec
- Fine adjustment screws with 0.25 mm pitch
- Hardened seats under driving screws
- Rotation range:  $360^\circ$
- Scale gradation:  $2^\circ$
- Compact and robust design
- Weight: 130 grams
- Material: black anodized aluminum



## Ring Holders for Nonlinear Crystals



C.A.\* – depends on crystal aperture.

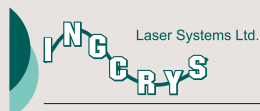
- **Black** anodized aluminium body
- **Teflon** adapter for particular crystal size
- **Easy** assembling and disassembling
- **No glue**

Ring mounts made from black anodized aluminium and Teflon are available for safe and convenient handling of nonlinear crystals. The standard sizes are  $\text{Ø } 25.4$  or  $\text{Ø } 30$  mm and thickness **10.5**, **13.5** or **17.5 mm** depending on crystal size.

Part No	Diameter, mm	Thickness, mm	Max. acceptable crystal size, mm
<b>830-0001-10</b>	25.4	10.5	12×12×3
<b>830-0001-13</b>	25.4	13.5	12×12×6
<b>830-0001-17</b>	25.4	17.5	12×12×15
<b>830-0002-10</b>	30	10.5	15×15×3
<b>830-0002-13</b>	30	13.5	15×15×6
<b>830-0002-17</b>	30	17.5	15×15×15

Delivery: 2-3 weeks ARO.

*Please contact us for non-standard size in case it is required for your special application.*



**EKSPLA**  
distributor in  
United Kingdom

Ingcris Laser Systems Ltd  
14 Parris Road, Stokenchurch,  
High Wycombe, Bucks. UK  
Tel.: + 44 (0) 1494 482541 | Fax: + 44 (0) 1494 482873  
E-mail: sales@ingcris.com | www.ingcris.com